

Model FP 720 | Drying and heating chambers with forced convection and program functions

A BINDER material test chamber with mechanical convection of the FP series provides reliably short drying times and particularly fast heating – even for chambers under full loads.

BENEFITS

- High temperature accuracy thanks to APT.line™ technology
- User-friendly controller with large display
- Computer interface: Ethernet
- Class 2 independent adjustable temperature safety device (DIN 12880) and class 3.1 independent temperature safety device (DIN 12880) with visual/acoustic alarm available for selection on the controller



Model 720



Model 720

IMPORTANT FEATURES

- Temperature range: +12°C above ambient temperature up to +300°C
- High temperature accuracy thanks to APT.line™ technology
- Adjustable fan speed
- Controller with interval and real-time programming
- Electromechanical control of the exhaust air flap
- 2 chrome-plated racks
- Class 2 independent adjustable temperature safety device (DIN 12880) and class 3.1 independent temperature safety device (DIN 12880) with visual/acoustic alarm available for selection on the controller
- Ergonomic handle design
- Computer interface: Ethernet
- Internal data logger, measured values can be read out in open format via USB

ORDERING INFORMATION

| Interior volume [L] | Power supply - unit fuse | Plug* | Version | Model version | Art.-No. |
|---------------------|--------------------------------|-------------------------|----------|---------------|-----------|
| Model FP 720 | | | | | |
| 741 | 400 V 3~/N/PE 50/60 Hz -16,0 A | CEE 16 / 6 H plug 5-pin | Standard | FP720-400V | 9010-0366 |
| | 208 V 3~ 60 Hz -16,0 A | NEMA L21-20 | Standard | FP720UL-208V | 9010-0370 |

TECHNICAL DATA

| Data | | |
|---|--|--|
| Designation | FP720-400V | FP720UL-208V |
| Article Number | 9010-0366 | 9010-0370 |
| Option model | Standard | Standard |
| Performance Data Temperature | | |
| Temperature range | +12 °C above ambient temperature to 300 °C | +12 °C above ambient temperature to 300 °C |
| Temperature uniformity at 150°C | 2.4 ± K | 2.4 ± K |
| Temperature fluctuation at 150°C | 0.6 ± K | 0.6 ± K |
| Heating up time to 150°C | 25 min | 25 min |
| Recovery time after door was opened for 30 s at 150°C | 6 min | 6 min |
| Air change data | | |
| Air change rate at 100°C | 5 x/h | 5 x/h |
| Electrical data | | |
| Rated Voltage | 400 V | 208 V |
| Power frequency | 50/60 Hz | 60 Hz |
| Nominal power | 4,5 kW | 4,5 kW |
| Unit fuse | 16,0 A | 16,0 A |
| Phase (Nominal voltage) | 3~/N/PE | 3~ |
| Dimensions and weights | | |
| Interior volume | 741 L | 741 L |
| Net weight of the unit (empty) | 166 kg | 166 kg |
| Load per rack | 45 kg | 45 kg |
| Permitted load | 315 kg | 315 kg |
| Wall clearance back | 160 mm | 160 mm |
| Wall clearance sidewise | 100 mm | 100 mm |
| Housing dimensions not incl. fittings and connections | | |
| Width net | 1,160 mm | 1,160 mm |
| Height net | 1,590 mm | 1,590 mm |
| Depth net | 816 mm | 816 mm |
| Internal Dimensions | | |

| | | |
|-----------------|----------|----------|
| Interior width | 1,000 mm | 1,000 mm |
| Interior height | 1,300 mm | 1,300 mm |
| Interior depth | 574 mm | 574 mm |
| Unit doors | 2 | 2 |

Environment-specific data

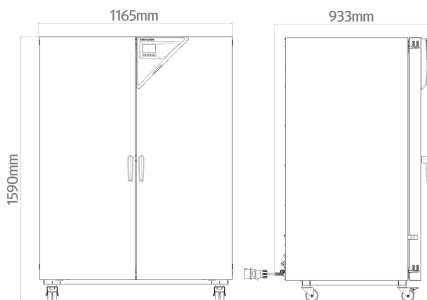
| | | |
|-----------------------------|----------|----------|
| Sound-pressure level | 43 dB(A) | 43 dB(A) |
| Energy consumption at 100°C | 510 Wh/h | 510 Wh/h |
| Energy consumption at 150°C | 880 Wh/h | 880 Wh/h |

Fixtures

| | | |
|-------------------------------|------|------|
| Number of shelves (std./max.) | 2/16 | 2/16 |
|-------------------------------|------|------|

All technical data is specified for unloaded units with standard equipment at an ambient temperature of +22 °C ±3 °C and a power supply voltage fluctuation of ±10 %. The temperature data is determined in accordance to BINDER factory standard following DIN 12880, observing the recommended wall clearances of 10 % of the height, width, and depth of the inner chamber. Technical data refers to 100 % fan speed. All indications are average values, typical for units produced in series. We reserve the right to change technical specifications at any time.

DIMENSIONS Incl. fittings and connections [mm]



OPTIONS

| Designation | Description | FP 720 | * | Art.-No. |
|--------------------------------|-------------|--------|----|-----------|
| | left | | | |
| | 10 mm | • | 01 | 8012-2198 |
| | 30 mm | • | 01 | 8012-2210 |
| | 50 mm | • | 01 | 8012-2213 |
| Access port with silicone plug | 100 mm | • | 01 | 8012-2207 |
| | right | | | |
| | 10 mm | • | 01 | 8012-2206 |
| | 30 mm | • | 01 | 8012-2212 |
| | 50 mm | • | 01 | 8012-2215 |

| Designation | Description | FP 720 | * | Art.-No. |
|--------------------------------------|---|--------|----|-----------|
| | 100 mm | • | 01 | 8012-2209 |
| | top | | | |
| | 10 mm | • | 01 | 8012-2199 |
| | 30 mm | • | 01 | 8012-2211 |
| | 50 mm | • | 01 | 8012-2214 |
| | 100 mm | • | 01 | 8012-2208 |
| Analog output 4-20 mA | for temperature values (output not adjustable) | • | 02 | 8012-2188 |
| Calibration certificate, expanded | for temperature; for extending the measurement in center of chamber to include another test temperature | • | - | 8012-2231 |
| | for temperature, measurement in center of chamber at specified temperature | • | - | 8012-2227 |
| Calibration certificate, temperature | temperature measurement incl. certificate, 9 measuring points at specified temperature | • | - | 8012-2230 |
| | temperature measurement incl. certificate, 15- 18 measuring points at specified temperature | • | - | 8012-2228 |
| | temperature measurement incl. certificate and 27 measuring points at specified temperature | • | - | 8012-2229 |
| Door lock | lockable door handle | • | - | 8012-2238 |
| HEPA air filter | On fresh air supply for unit; filter classification H14 (acc. to. EN 1822-1:2009, > 99,995% at 0,3 µm); not in conjunction with reinforced heating output, reinforced fan | • | - | 8012-2222 |
| Inner chamber, reinforced | max. total load 350 kg | • | - | 8012-2226 |
| | with two 27 W light bulbs | | | |
| Interior lighting | 400 V option model | • | - | 8012-2191 |
| Measurement of air exchange rate | in accordance with ASTM D5374, definition and protocol according to ambient temperature | • | - | 8012-2232 |
| Pt 100 temperature sensor | additional flexible Pt 100, interior, for displaying the temperature on the unit display | • | - | 8012-2193 |

ACCESSORIES

| Designation | Description | FP 720 | * | Art.-No. |
|--------------------------|---|--------|---|-----------|
| | for simple logging and documentation requirements with up to 5 networked units. | | | |
| APT-COM™ 4 BASIC-Edition | version 4, BASIC edition | • | - | 9053-0039 |
| | for working under GLP-compliant conditions. Measured values are documented in a tamper-proof way in line with the requirements of FDA Regulation 21 CFR 11. | | | |
| APT-COM™ 4 GLP-Edition | version 4, GLP edition | • | - | 9053-0042 |

| Designation | Description | FP 720 | * | Art.-No. |
|---------------------------------|---|--------|---|-----------|
| APT-COM™ 4 PROFESSIONAL-Edition | convenient unit and user management built on the BASIC edition. Suitable for networking up to 100 units. | | | |
| | version 4, PROFESSIONAL edition | • | - | 9053-0040 |
| pH-neutral detergent | concentrated, for gentle remove of residual contaminants; 1 kg | • | - | 8012-2250 |
| Qualification documents | IQ/OQ/PQ documents – supporting documents for validation performed by customers, according to customer requirements, PQ section added to qualification folder IQ/OQ; parameters: temperature, CO ₂ , O ₂ – or pressure, depending on unit | | | |
| | Digital in PDF format | • | - | 7057-0005 |
| | Hard copy inside folder | • | - | 7007-0005 |
| | IQ/OQ documents – supporting documents for validation performed by customers, consisting of: IQ/OQ checklists incl. calibration guide and comprehensive unit documentation; parameters: temperature, CO ₂ , O ₂ , pressure, depending on unit | | | |
| | Digital in PDF format | • | - | 7057-0001 |
| | Hard copy inside folder | • | - | 7007-0001 |
| Rack | max. load per rack 45 kg | | | |
| | chrome plated | • | - | 8012-2044 |
| | stainless steel | • | - | 8012-2170 |
| Rack, heavy load | max. load per rack 70 kg | | | |
| | Stainless steel | • | - | 8012-2185 |
| Rack accessories | fasteners (1 set of 4) for additional security of racks | • | - | 8012-0531 |
| Shelf, perforated | max. load per rack 40 kg | | | |
| | Stainless steel | • | - | 8012-2178 |

SERVICES

| Designation | Description | * | Art.-No. |
|--|--|---|-----------|
| Calibration services | | | |
| Calibration certificate, temperature | Calibration of one (1) test temperature specified by the user in center of chamber, including certificate | - | DL30-0120 |
| | Extension of calibration of one (1) additional test temperature specified by the user in the center of the usable space, including certificate | - | DL30-0102 |
| Measurement of air exchange rate | including certificate (in accordance with ASTM D5374) | - | DL33-0000 |
| Temperature measurement, 9 measuring points | Temperature measurement with 9 measuring points with a set value specified by the user, including certificate | - | DL30-0109 |
| Temperature measurement, 18 measuring points | Temperature measurement with 18 measuring points with a set value specified by the user, including certificate | - | DL30-0118 |

| Designation | Description | * | Art-No. |
|--|---|---|-----------|
| Temperature measurement, 27 measuring points | Temperature measurement with 27 measuring points with a set value specified by the user, including certificate | – | DL30-0127 |
| Installation services | | | |
| Unit commissioning | Connect the unit to the customer-side connections (electricity, water, wastewater, gas), basic functions check, brief operating instructions. (excl.: unpacking, setup, controller instructions, programming, installation work) | – | DL10-0100 |
| Unit instructions | Instruction regarding operating principle and basic functions of the unit, operation of the control electronics including programming | – | DL10-0500 |
| Maintenance contracts | | | |
| BRONZE 3-year maintenance contract | Maintenance service as contractually agreed, visual inspection of mechanical and electrical components, check of control response, 20% discount on spare parts | – | DL20-0720 |
| GOLD 3-year maintenance contract | Maintenance service as contractually agreed, visual inspection of mechanical and electrical components, check of control response, 20% discount on spare parts, testing of all key functions, replacement of wear parts, calibration of one test temperature specified by the user in the center of the usable space, including certificate | – | DL20-0910 |
| SILVER 3-year maintenance contract | Maintenance service as contractually agreed, visual inspection of mechanical and electrical components, check of control response, 20% discount on spare parts, testing of all key functions, calibration of one test temperature specified by the user in the center of the usable space, without certificate | – | DL20-0810 |
| Maintenance services | | | |
| Maintenance | One-off maintenance service in accordance with maintenance schedule. Visual inspection of mechanical and electrical components, testing of all key functions. Calibration of a test temperature specified by the user in center of usable space without certificate | – | DL20-0602 |
| Validation services | | | |
| Execution of IQ/OQ | Execution of IQ/OQ in accordance with qualification folder | – | DL41-0200 |
| Execution of IQ/OQ/PQ | Execution of IQ/OQ/PQ in accordance with qualification folder | – | DL44-0500 |
| Warranty service | | | |
| 1-year warranty extension | The warranty is extended by 1 year from the delivery date, wear parts are excluded | – | DL50-0010 |

NOTES

- 01 Condensation may occur in the area around the access port. Access ports may be placed in custom locations for an additional charge.
- 02 UL mark is not granted when this option is used.

BINDER GmbH

Tuttlingen, Germany
TEL +49 7462 2005 0
info@binder-world.com
www.binder-world.com

BINDER Inc.

Bohemia, NY, USA
TEL +1 631 224 4340
usa@binder-world.com
www.binder-world.us

BINDER Environmental Testing Equipment (Shanghai) Co., Ltd.

Shanghai, P.R. China
TEL +86 21 685 808 25
china@binder-world.com
www.binder-world.com

BINDER Asia Pacific (Hong Kong) Ltd.

Kowloon, Hong Kong, P.R. China
TEL +852 39070500
asia@binder-world.com
www.binder-world.com