

# Rotary vane pump RZ 2.5

Order no.: 20798120

The one-stage RE 2.5 and two-stage RZ 2.5 are high-performance rotary vane pumps with extra compact design and low weight. They are the ideal solution for a wide range of laboratory and process applications that require low ultimate vacuum at medium gas flow rate. The RZ 2.5 is also available combined with the oil mist filter (FO) and the VS 16 valve as a package.



## Performance features

- high flow rates even at vacuum levels approaching ultimate vacuum
- very good ultimate vacuum even with gas ballast
- vacuum-tight at switch-off; external anti-suckback valve not needed
- large oil volume: Long intervals between oil changes
- ease of maintenance due to telescopic design

## Technical data

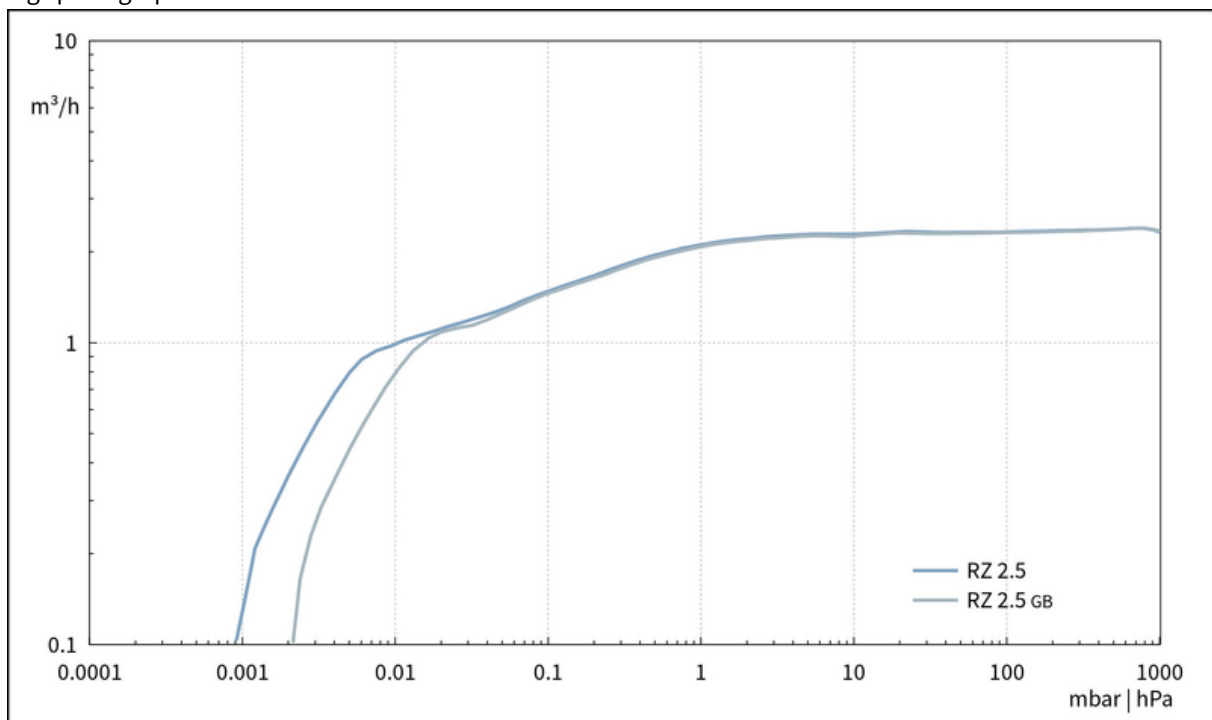
Number of stages		2
Max. pumping speed at 50/60 Hz	m <sup>3</sup> /h	2.3 / 2.8
Max. pumping speed at 50/60 Hz	cfm	1.4 / 1.6
Ultimate partial vacuum (abs.)	mbar	4 x 10 <sup>-4</sup>
Ultimate vacuum (abs.)	mbar/torr	2 x 10 <sup>-3</sup> / 1.5 x 10 <sup>-3</sup>
Ultim. vac. (abs.) with gas ballast	mbar/torr	1 x 10 <sup>-2</sup> / 0.75 x 10 <sup>-2</sup>
Ambient temperature range (operation)	°C	12 - 40
Ambient temperature range (storage)	°C	-10 - 60
Oil capacity (B-Oil) min./max.	l	0.36 / 0.84
Max. back pressure (abs.)	bar	1.1
Inlet connection		small flange KF DN 16
Outlet connection		Hose nozzle DN 8-10 mm
Rated motor power	kW	0.1
Rated motor speed at 50/60 Hz	min <sup>-1</sup>	1500/1800
Protection class		IP 40
Dimensions (L x W x H), approx.	mm	390 x 156 x 240
Weight, approx.	kg	14.2
Noise level at 50 Hz, typ.	dBA	48
CE mark		Yes

**Items supplied**

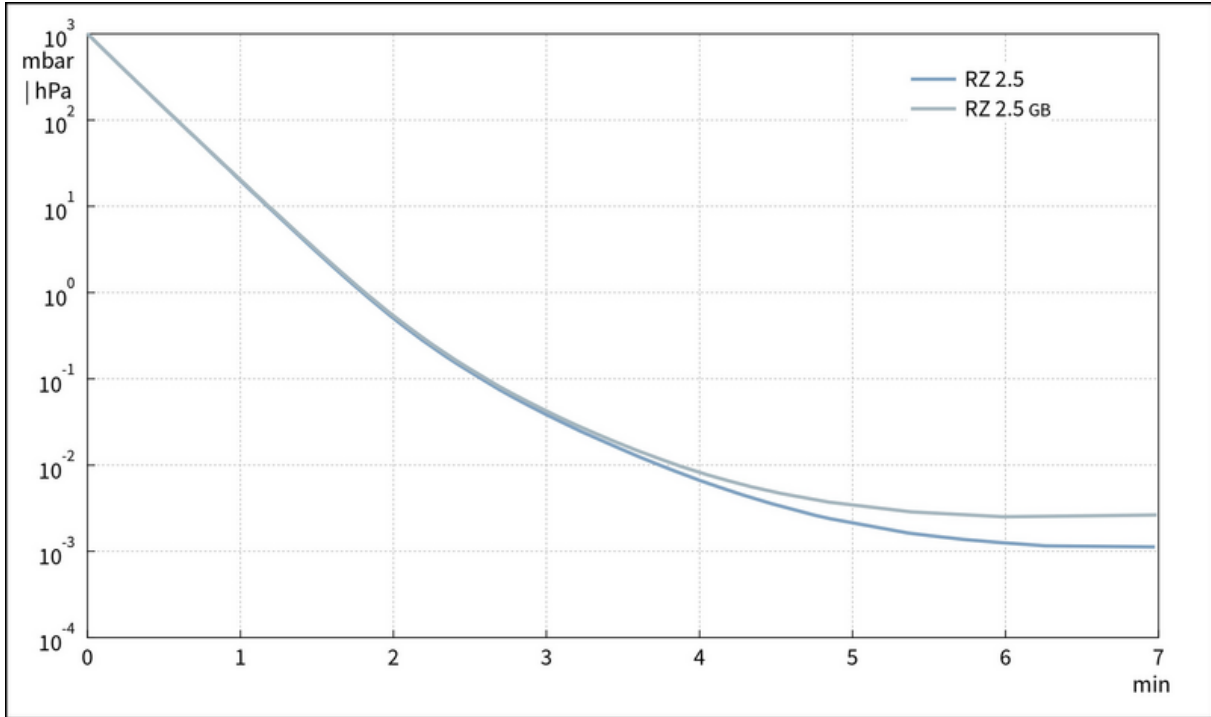
Pump oil filled and completely mounted, ready for use, with manual.

**Accessories**

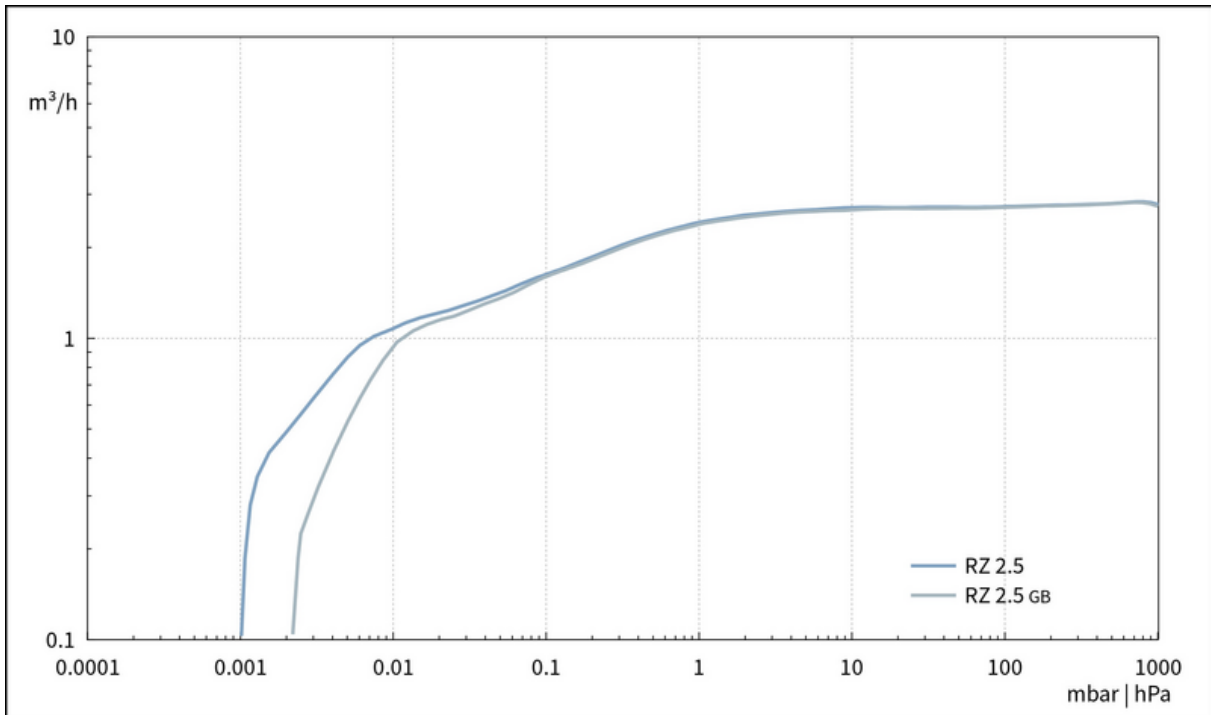
Stainless steel tubing KF DN 16 (1000 mm: 20673336)  
Separator inlet side AK R 2/2.5 (20698000)  
Oil mist filter FO R 2/2.5/5/6 (20698003)  
Package fine vacuum control KF DN 16 (20700100 or 20700101)  
Rubber vacuum tubing DN 8 mm (20686001)  
Small flange KF DN 16 with hose nozzle DN 8-10 mm (20662806)

**Pumping speed graph at 50 Hz**

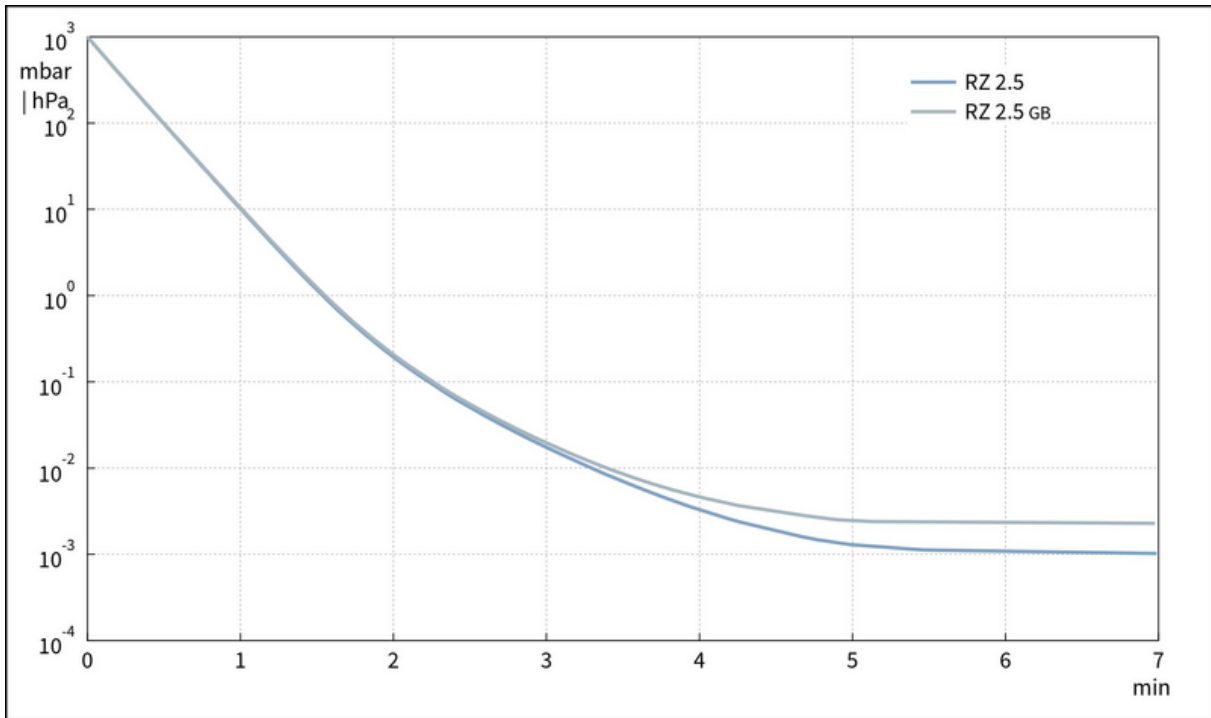
Pump down graph at 50 Hz  
(10 l volume)



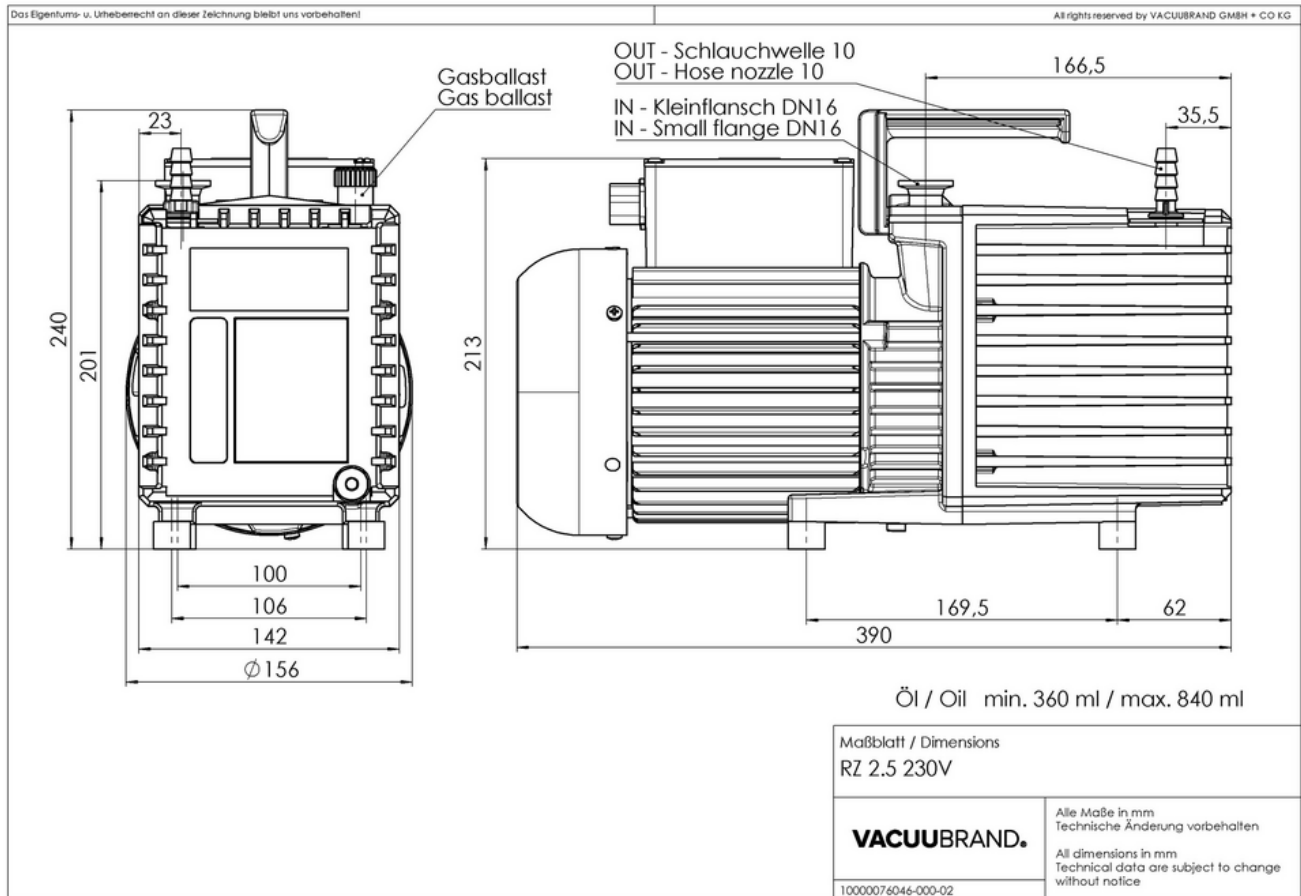
Pumping speed graph at 60 Hz



Pump down graph at 60 Hz  
(10 l volume)



## Dimension sheet



## Ordering data

Product name	Mains voltage and frequency	Plug	Order no.
RZ 2.5	230 V~ 50-60 Hz	CEE	20798120