

Rotary vane pump RZ 9

Order no.: 20798140

The RZ 9 is a two-stage powerful rotary vane pump for fast evacuation of vessels and at higher gas flow rates.

Performance features

- very high flow rates even at vacuum levels approaching ultimate vacuum
- high water vapor tolerance due to efficient gas ballast; very good ultimate vacuum even with gas ballast
- vacuum-tight at switch-off; external anti-suckback valve not needed
- large oil volume: Long intervals between oil changes
- ease of maintenance due to telescopic design



Technical data

Number of stages		2
Max. pumping speed at 50/60 Hz	m ³ /h	8.9 / 10.2
Max. pumping speed at 50/60 Hz	cfm	5.2 / 6.0
Ultimate partial vacuum (abs.)	mbar	4 x 10 ⁻⁴
Ultimate vacuum (abs.)	mbar/torr	2 x 10 ⁻³ / 1.5 x 10 ⁻³
Ultim. vac. (abs.) with gas ballast	mbar/torr	1 x 10 ⁻² / 0.75 x 10 ⁻²
Water vapor tolerance with gas ballast	mbar	40
Ambient temperature range (operation)	°C	15 - 40
Ambient temperature range (storage)	°C	-10 - 60
Oil capacity (B-Oil) min./max.	l	0.45 / 0.85
Max. back pressure (abs.)	bar	1.1
Inlet connection		small flange KF DN 25
Outlet connection		small flange KF DN 25
Rated motor power	kW	0.30
Rated motor speed at 50/60 Hz	min ⁻¹	1500/1800
Protection class		IP 40
Dimensions (L x W x H), approx.	mm	503 x 156 x 240
Weight, approx.	kg	24.8
Noise level at 50 Hz, typ.	dBA	52
CE mark		Yes

Items supplied

Pump oil filled and completely mounted, ready for use, with manual.

Accessories

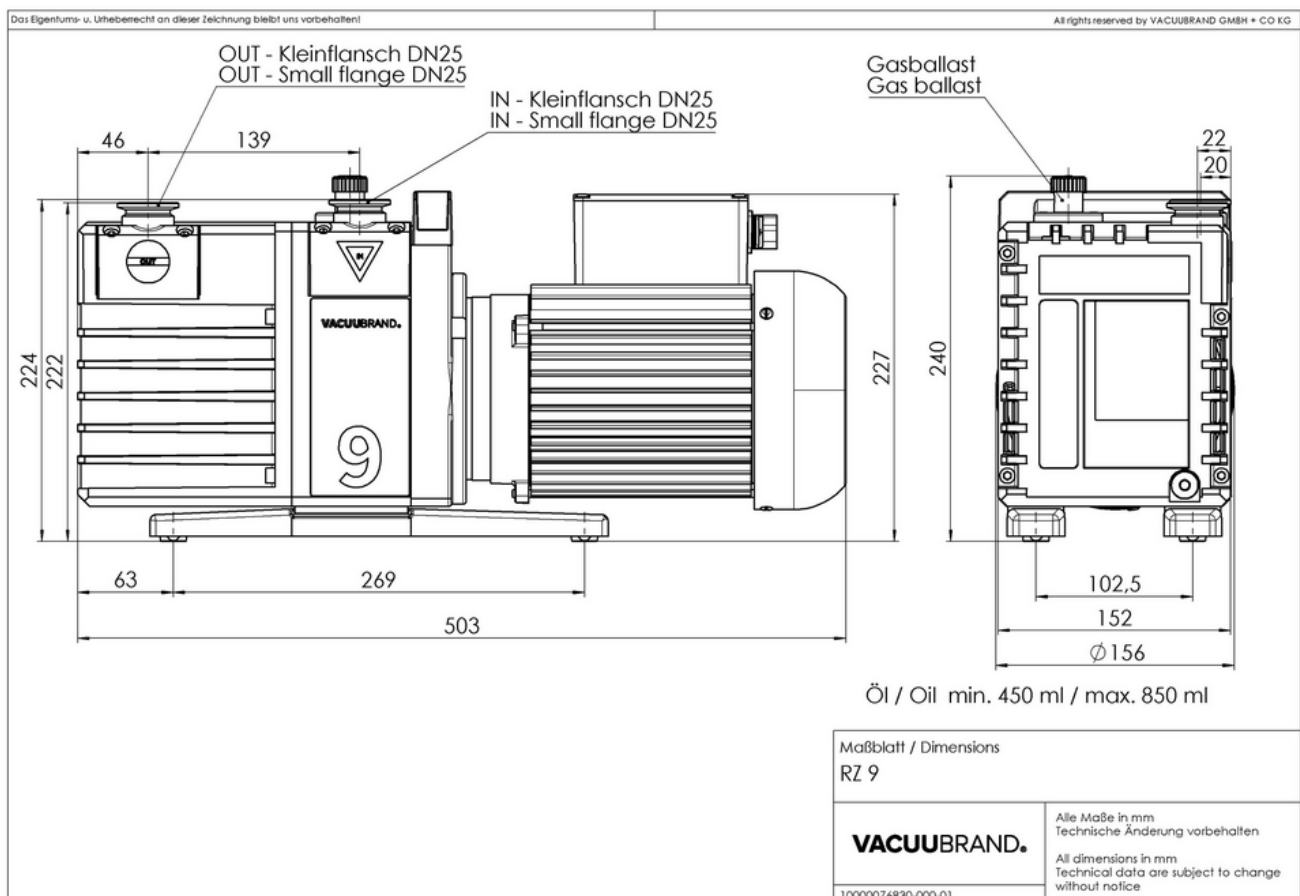
Stainless steel tubing KF DN 25 (1000 mm: 20673337)

Separator inlet side AK R 8/9/16 (20698007)

Oil mist filter FO R 8/9/16 (20698017)

Inline oil filter HF R 8/9/16, until 06/2016 (20698010)

Package fine vacuum control KF DN 25 (20700110 or 20700111)

Dimension sheet**Ordering data**

Product name

Mains voltage and frequency

Plug

Order no.

RZ 9

230 V~ 50-60 Hz

CEE

20798140